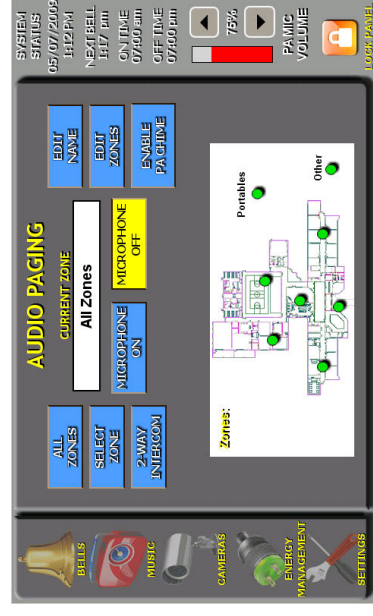


Audio Only Solution

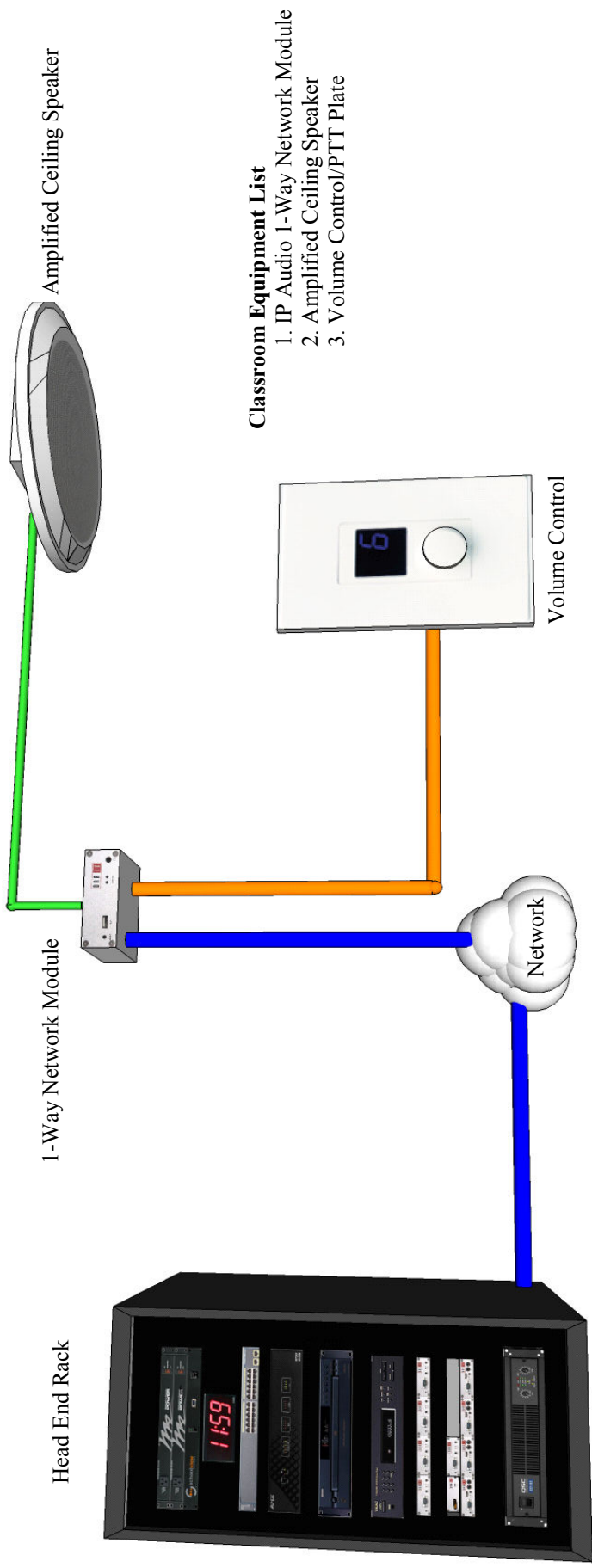
CampusPA™ is the latest addition to our SchoolView Campus product line. This new system consolidates Clock, Bell, PA/Intercom and Background Music into a single networked system with an intuitive interactive touch screen. This system is not only cost effective but also scalable so that integration to a full CampusSV® solution provides peace of mind that your investment decision was well made.

Renovations- CampusPA™ is perfect for the district with limited funds and aging equipment. As long as a standard IP network exists, this system is easily integrated into an existing building.

New Construction- CampusPA™ is a great fit for new construction projects requiring the latest technology while on a limited budget.



IP PA (1 way)



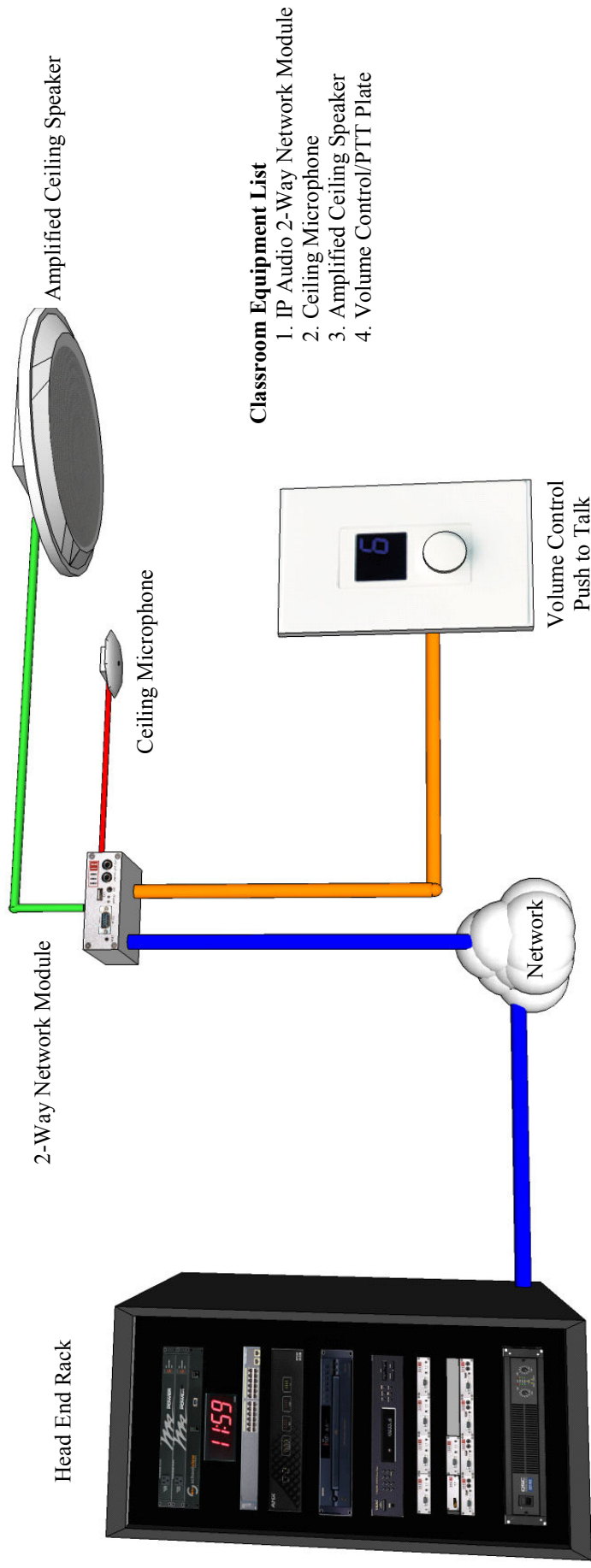
Audio Only

CampusPA simplifies K-12 Public Address systems by taking advantage of existing IP networks. With minimal hardware in the classroom and a network drop, any school can have an **21st Century** IP based digital Public Address system without having to rerun cables to replace the aging PA wire infrastructure.

CampusPA can be upgraded to a fully functional CampusSV® system.

CampusPA™

IP Intercom (2 way)



Classroom Equipment List

1. IP Audio 2-Way Network Module
2. Ceiling Microphone
3. Amplified Ceiling Speaker
4. Volume Control/PTT Plate

Audio Only

CampusPA simplifies K-12 intercom systems by taking advantage of existing IP networks. With minimal hardware in the classroom and a network drop, any school can have an **21st Century** IP based digital 2-Way Intercom system without having to rerun cables to replace the aging analog intercom wire infrastructure.

CampusPA can be upgraded to a fully functional CampusSV[®] system.

CampusPA[™]